

STUDIO EXTERIOR WALL LIGHT

CUSTOMISING YOUR STUDIO EXTERIOR WALL LIGHT FITTINGS.

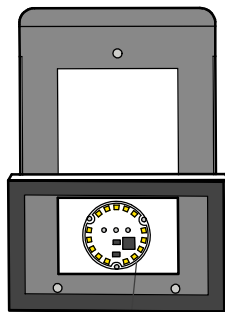
The Studio wall lights are available in 316 marine grade stainless steel and genuine copper. The back plates are also manufactured from 316 marine grade stainless steel and finished in black powdercoat. Available in a Large and a Grande size the shields can be powdercoated or finished in any of Elettra's numerous options. The glass is supplied in a clear finish or can be sandblasted to diffuse the light output if required. Different lamp sources available.

Available in **STAINLESS STEEL** and **COPPER**

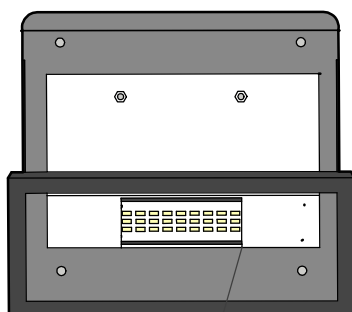
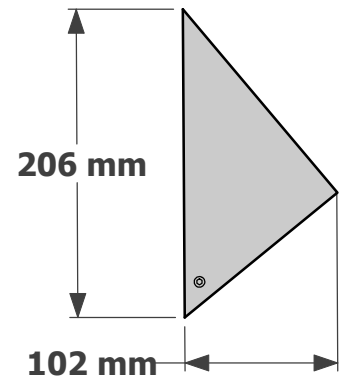
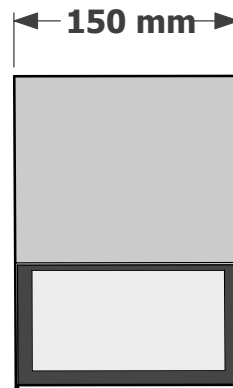
Search these options under accessories and finishes at www.elettra.com.au



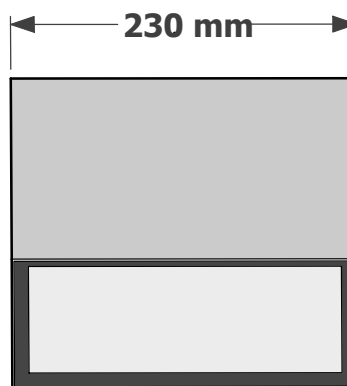
STUDIO LARGE
PRODUCT CODE
011-681-101



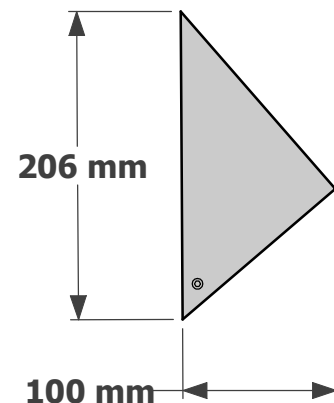
8.5 Watt LED Module



13 Watt Linear LED



STUDIO GRANDE
PRODUCT CODE
012-681-101



STUDIO WALL LIGHT DATA SHEET

www.elettra.com.au



Please remember to confirm the finish of your order and any customising that may differ from the data sheet.

sales@elettra.com.au