

HAVEN EXTERIOR WALL LIGHT

CUSTOMISING YOUR HAVEN EXTERIOR WALL LIGHT FITTINGS

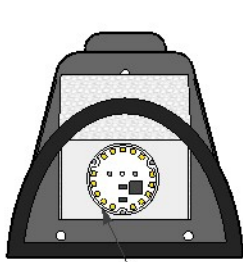
The Haven wall lights are available in 316 marine grade stainless steel and genuine copper. The back plates are also manufactured from 316 marine grade stainless steel and finished in black powdercoat. Available in a Small, Large and Grande size the shields can be powdercoated or finished in any of Elettra's numerous options. The glass is supplied in a clear finish or can be sandblasted to diffuse the light output if required. Different lamp sources available.

Available in **STAINLESS STEEL** and **COPPER**

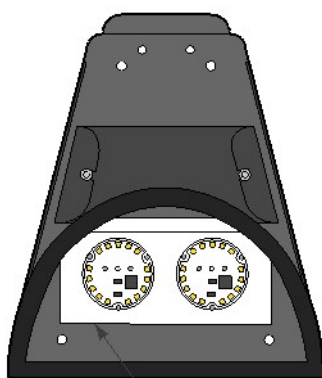
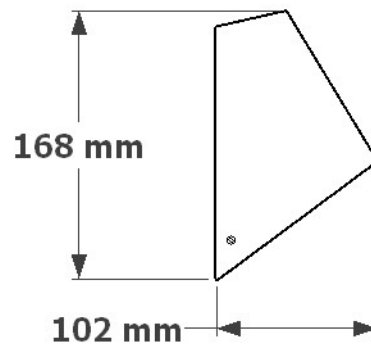
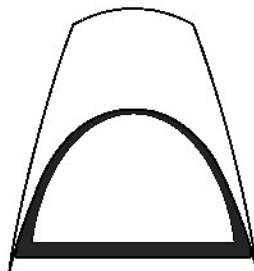
Search these options under accessories and finishes at www.elettra.com.au



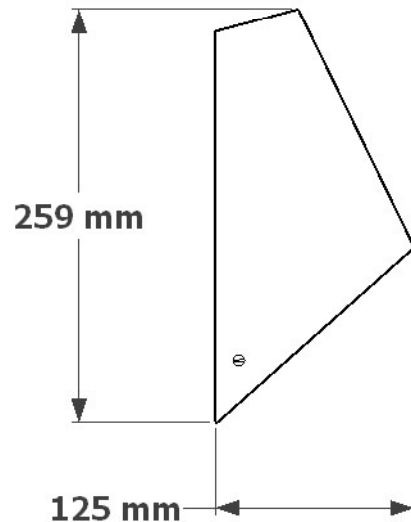
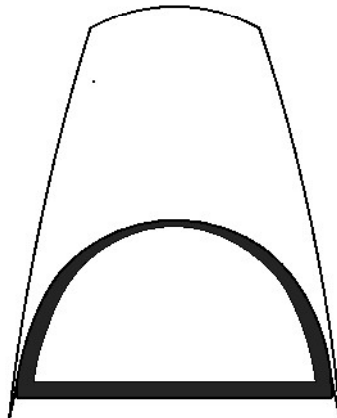
HAVEN LARGE
PRODUCT CODE **016-680-111**



8.5 Watt LED



Two 8.5 Watt LED



HAVEN GRANDE
PRODUCT CODE **016-680-121**

**HAVEN WALL
LIGHT DATA SHEET**

www.elettra.com.au

ELETTRA
products

Please remember to confirm the finish of your order and any customising that may differ from the data sheet.

sales@elettra.com.au