

METRO SIX UP/DOWN AND DOWN

EXTERIOR WALL LIGHT

CUSTOMISING YOUR METRO SIX EXTERIOR WALL LIGHT FITTINGS.

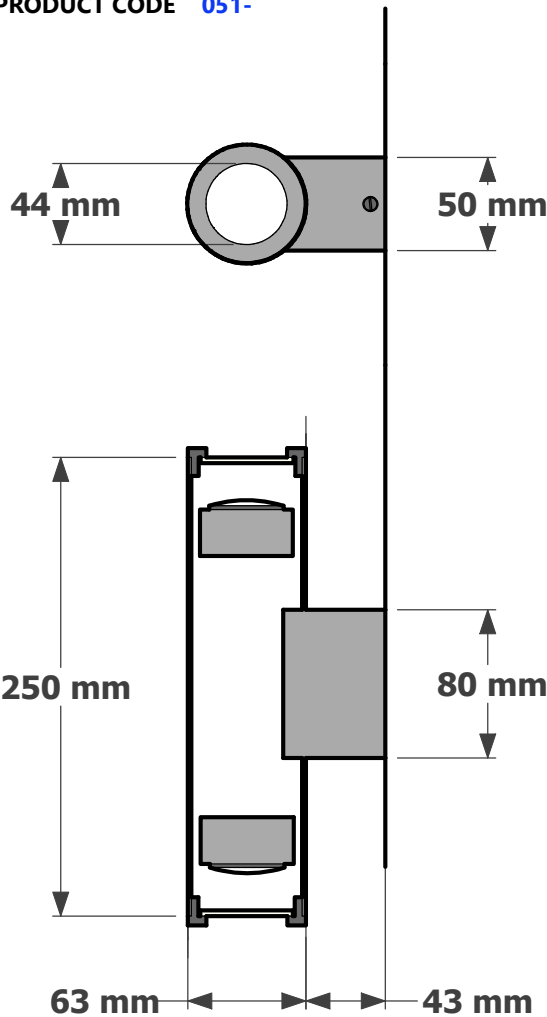
The Metro six exterior wall light up/down has been drawn 250mm long and the Metro six down light 150mm long. Although they can be manufactured to your own required length and the back mounting box can be positioned at different heights. The down light has a clean waterproof welded top, while the open ends have solid turned glass holders fitted neatly into the open ends creating a IP24 rating. Both the Metro six wall lights can be completed in an extensive range of powder coats and finishes.

Available in ALUMINIUM, BRASS and COPPER

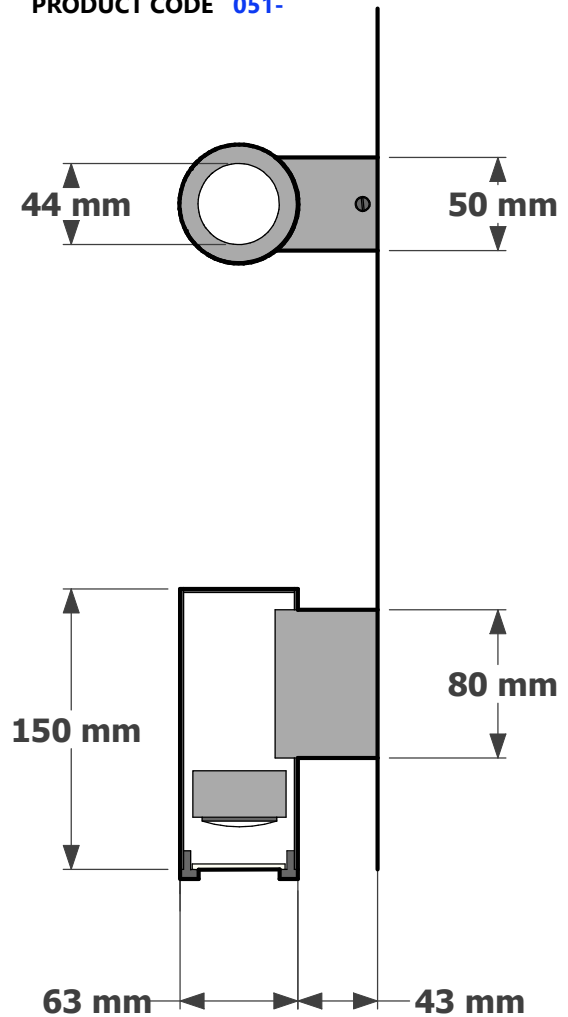
Search these options under accessories and finishes at www.elettra.com.au



METRO SIX WALL LIGHT UP/DOWN
PRODUCT CODE 051-



METRO SIX WALL LIGHT DOWN ONLY
PRODUCT CODE 051-



METRO SIX EXTERIOR
WALL
LIGHT DATA SHEET

www.elettra.com.au



Please remember to confirm the finish of your order and any customising that may differ from the data sheet.

sales@elettra.com.au