

IRIS PENDANT

A simple smooth pendant hand spun and available in brushed aluminium and a range of colours. This pendant will suit both domestic and commercial applications. The Iris Pendant comes standard with an E27 lamp holder, 80mm diameter x 25mm canopy and 1m of flex. This pendant can be readily fitted with energy saving and dimmable globes. The range of colours finishes, materials and flex colours ensure a full variety of options are available.

Elettra Products are Australian owned and manufactured.

IRIS PENDANT E27 1Metre c/w 80mm Canopy



Product Codes:

020-812-001 Iris Pendant E27 1metre Flex 80mm canopy
See website for list of standard powder coats

Options available at extra cost:

020-812-001C Iris Pendant Copper E27 1metre Flex 80mm canopy (Made to Order allow 8 weeks Lead time minimum)
Spun from A1150 aluminium so can be anodized
Brushed Internally
Copper Versions can be heat treated, Antiqued or brushed internally

SPECIFICATIONS:

Material : Aluminium construction

Light Source : E27

Rating: 60W Max

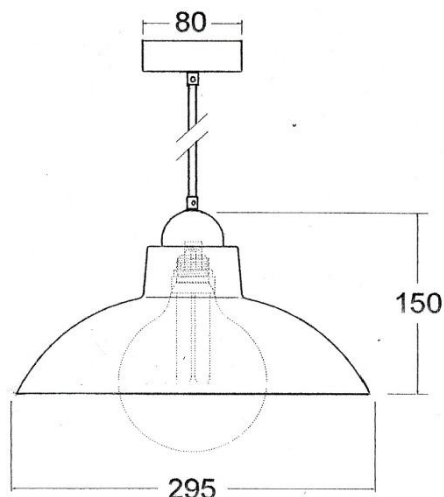
Finishes: Brushed Aluminium clear coated or Standard Powder coat colours

Flex Colours: PVC Black, White, Clear
Fabric Black, White, Red, Brown, Grey, Black/White

Overall depth of reflector 150mm

Diameter 295mm

Canopy Diameter 80mm



Version pictured is spun from copper and antiqued. It is then lightly brushed and given two coats of clear lacquer to give the bronze like appearance.

Elettra Products reserves the right to modify or change the product at any time.