

DIALECT PENDANT

The Dialect Pendant is hand manufactured from aluminium. It has a polycarbonate diffuser and comes standard with ES or BC lamp holders. It is available in our extensive range of standard colours as well as brushed aluminium finish. It is fitted with quality lamp holders that accommodate a huge variety of both standard, LED and dimmable globes with high lumen output. This pendant will suit both domestic and commercial applications.

Elettra Products are Australian owned and manufactured.

DIALECT PENDANT ES 1Metre Suspension 020-791-001



Product Codes:

020-791-001 Dialect Pendant E27 1m Flex Suspension

010-791-101 Dialect Wall Bracket E27 80mm Canopy

See website for list of standard powder coats

Options available:

Can be Anodized

Can be powder coated internally

Specifications:

Material : Aluminium construction

Light Source : E27 and B22

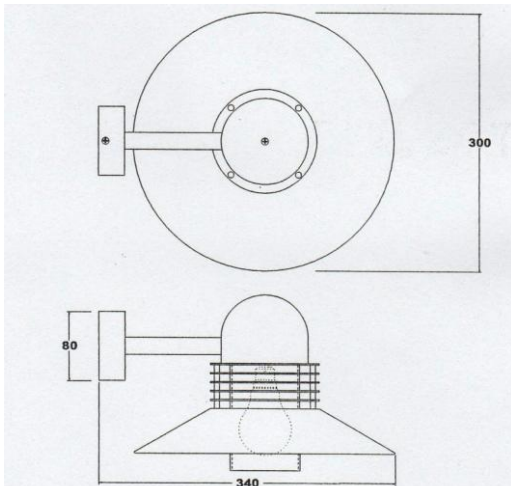
Finishes: Brushed clear coated or Standard Powder coat colours

Flex Colours: PVC Black, White, Clear

Fabric Black, White, Red, Brown, Grey, Black/White

Overall Depth of Fitting 206 mm

Overall Width of fitting 300 mm



**010-791-001
Dialect Wall Bracket Brushed Ali.**



This dialect pendant has been brushed externally and powder coated silver inside. It is fitted with a 1 metre rod that has also been brushed and clear coated.

Elettra Products reserves the right to modify or change the product at any time.